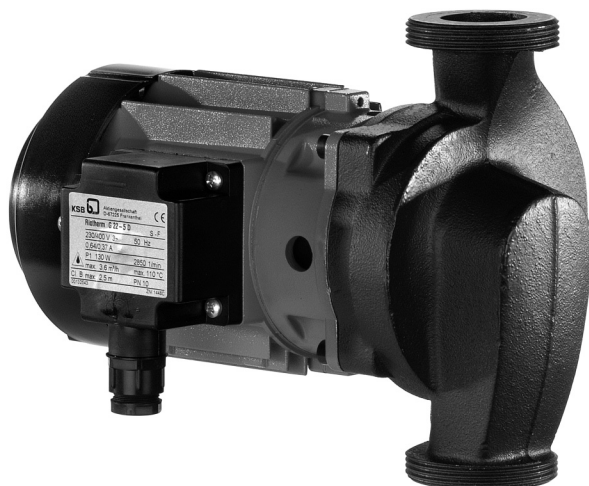


Service Water Circulator Pumps



Fields of Application

- Hot-water supply systems
- Cooling circuits
- General industrial systems
- Swimming pools

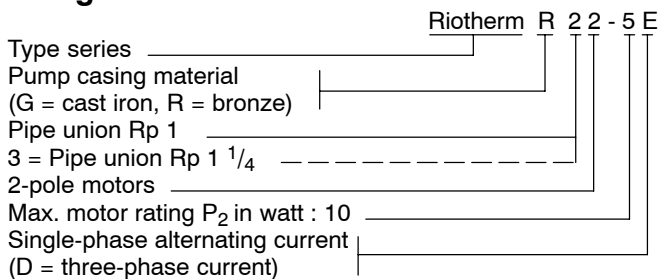
Medium Handled

Clean water and liquids not chemically or mechanically aggressive to the pump materials.

Operating Data

Q up to 10 m³/h, 2.8 l/s
 H up to 6 m
 p_d up to 10 bar
 t -2 up to +110 °C

Designation



Design

Dry rotor pump (mechanical seal), screw-union type, with constant speed.

Shaft Seal

Mechanical seal.

Materials

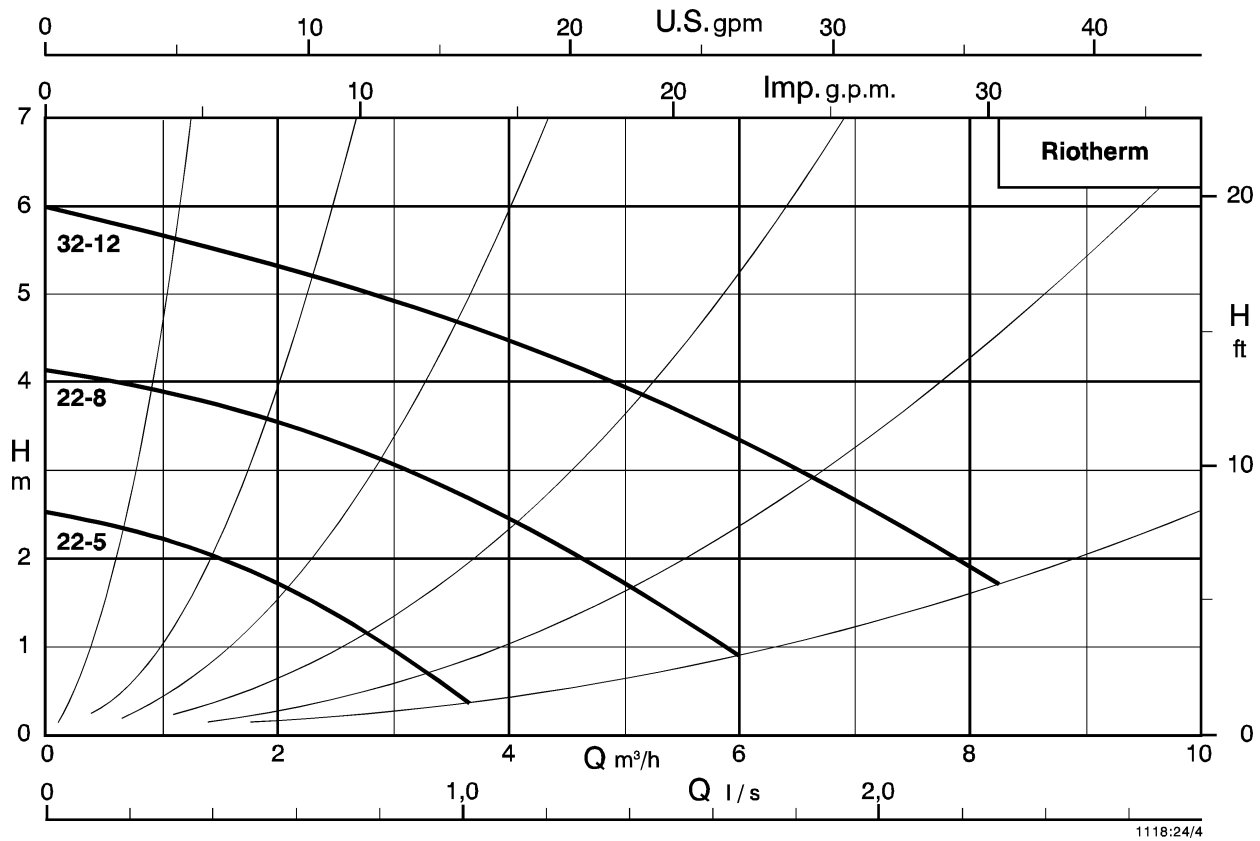
Volute casing	Cast iron or bronze
Discharge cover	Chrome nickel steel
Shaft	Chrome nickel steel
Impeller	Plastic

Bearings

Grease-lubricated deep-groove ball bearings.

Drive

Surface-cooled three-phase squirrel-cage motor 230/400 V or single-phase a.c. motor, 230 V, IP 44.

Selection Chart 2800 1/min

Minimum Pressure

Required minimum pressure p_{min} at the pump suction nozzle to avoid cavitation noise at an ambient temperature of +40 °C and a pumped water temperature t :

t	65 °C	90 °C	110 °C
p_{min}	0.7 bar	0.9 bar	1.1 bar

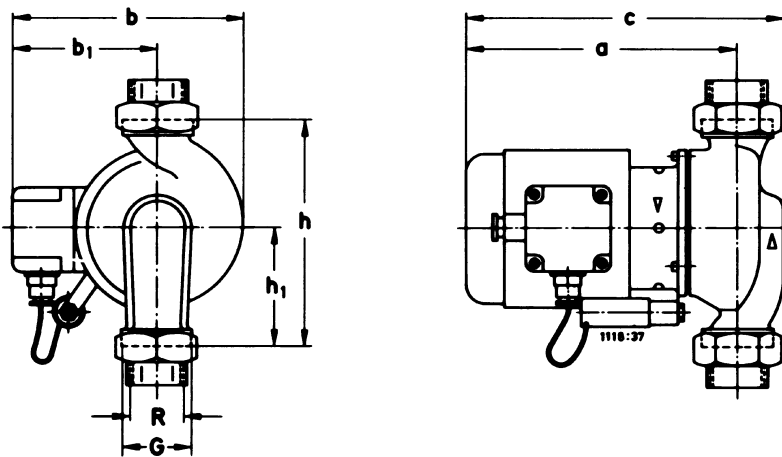
The values are applicable up to 300 m above sea level.
For installation altitudes >300 m, +0.01 bar/100 m have to be added.

Technical Data

Riotherm	ISO 7/l	1/min	P_1 W	P_2 W	230 V 3~ A	400 V 3~ A	230 V 1~ A	μF		$\approx kg$
G 22-5 E	Rp 1	2850	130	50	-	-	1.1	5	29 127 210	7.1
G 22-5 D	Rp 1	2850	130	50	0.64	0.37	-	-	29 127 211	6.5
R 22-5 E	Rp 1	2850	130	50	-	-	1.1	5	29 127 212	7.9
R 22-5 D	Rp 1	2850	130	50	0.64	0.37	-	-	29 127 213	7.2
G 22-8 E	Rp 1	2800	165	85	-	-	1.1	5	29 127 214	7.1
G 22-8 D	Rp 1	2800	165	85	0.67	0.39	-	-	29 127 215	6.5
R 22-8 E	Rp 1	2800	165	85	-	-	1.1	5	29 127 216	7.8
R 22-8 D	Rp 1	2800	165	85	0.67	0.39	-	-	29 127 217	7.3
G 32-12 E	Rp 1 1/4	2750	200	120	-	-	1.1	5	29 121 054	7.1
G 32-12 D	Rp 1 1/4	2750	200	120	0.7	0.4	-	-	29 121 055	6.5
R 32-12 E	Rp 1 1/4	2750	200	120	-	-	1.1	5	29 121 056	7.9
R 32-12 D	Rp 1 1/4	2750	200	120	0.7	0.4	-	-	29 121 057	7.3

E = 1~ D = 3~

Gaskets are included in the scope of supply. Union ends and nuts are available as accessories.

Outline Drawing

Dimension Table

Riotherm	a	b	b ₁	c	h	h ₁	G	R
22-5/-8	211	158	90	246	180	90	2	1
32-12	211	158	90	246	180	90	2	1 1/4

Pump Accessories

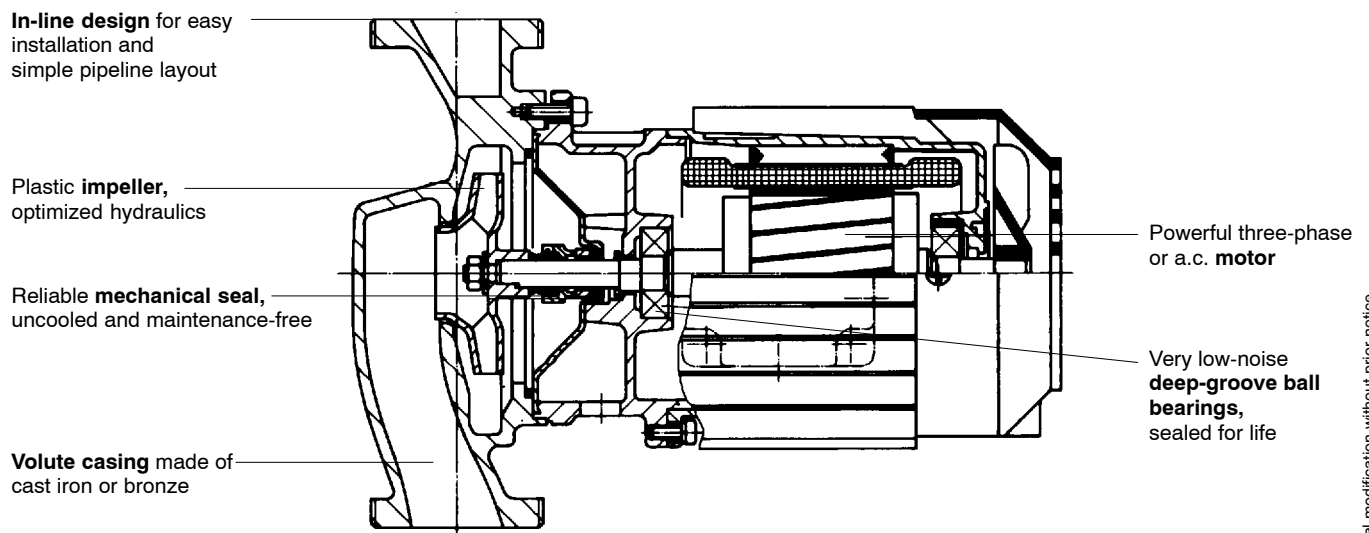
		Union		Ident No.	~kg	
		Pipe end	Pump end			
	Union end (1 per unit) *)					
	with soldered / threaded end	brass	28 mm/Rp 1	for G 2	00 105 249 L	0.2
	with soldered / threaded end	brass	35 mm/Rp 1 1/4	for G 2	00 104 002 L	0.2
	with internal thread	gunmetal	Rp 1 1/4	for G 2	00 250 882 L	0.3
	with internal thread, reducing	brass	Rp 1	for G 2	00 603 026 L	0.2
	with internal thread	malleable cast iron	Rp 1	for G 2	00 250 082 L	0.2
	with internal thread	malleable cast iron	Rp 1 1/4	for G 2	00 250 080 L	0.3
	Union nut			for G 2	00 242 031 L	0.2
	Gasket			for G 2	00 135 921 L	0.1

*) Scope of supply: without union nuts and and gaskets

L = available ex stock

Electrical Accessories

		width x height x depth mm	Riotherm			~kg
			1~	3~		
	Temperature sensor ET 2 Signal transmitter for temperature-dependent switching	45 x 100 x 58	X	X	00 521 825	0.4
	Plug-in timer SEU, IP 20 a.c. timer for switching off Riotherm at night, with 1.5 m connection cable for the pump	70 x 70 x 65	X		00 103 990	0.25
	Motor protection switchgear MS, IP 54, with built-in protective motor relay, manual-0-automatic switch, indicator lamps for operation and fault	100 x 170 x 85				
		Setting range	X			
	MSE 12.1	0.8 - 1.2 A			19 071 392	1.0
	MSD 063.1	0.36 - 0.54 A		X	19 070 112	1.0
	MSD 10.1	0.54 - 0.8 A		X	19 070 113	1.0



Subject to technical modification without prior notice.

1118.5-10 / 1.8.2003